

Smart PT Camera

Uho-S2E



|

Overview

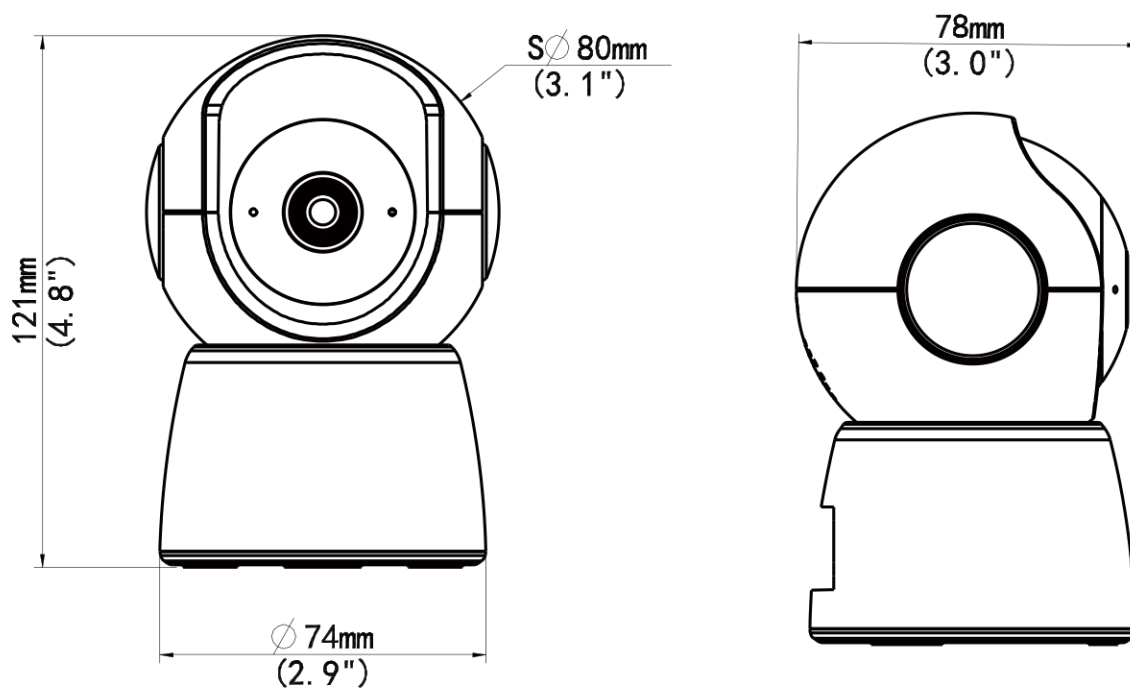
Uho-S2E is a 2MP indoor PT camera with real-time two-way audio, HD night vision, motion detection, auto tracking, audio detection, human body detection, and other functions. The pan&tilt design allows the camera to flexibly rotate horizontally and vertically, realizing 360° pan range. Used with Uniarch APP and EZCloud, you can check the real-time indoor situation anytime and anywhere.

Features

- 2MP, IR night vision
- 360° endless pan range, 24-hour guard
- Two-way audio
- Multiple detection ways
- Easy and convenient to use

Specifications

Model	Uho-S2E
Image	
Image sensor	2MP, 1/3" CMOS sensor
Lens	4.0mm@F2.0
FOV	H (horizontal) 86°; V (vertical) 46°; D (diagonal) 104°
Min. illumination	0.01Lux
Illumination range	IR 10m
Audio	
Input/output	Two-way audio (built-in Mic and speaker)
Pickup range	7m
Audio compression	G711A, G711U
Video	
Video compression	H.264,H.265
Stream	Main/sub streams
Frame rate	25fps
Network	
Interface	RJ45*1
Wi-Fi	2.4G Wi-Fi (IEEE802.11b/g/n), built-in antenna
Compatible Integration	ONVIF (Profile S, Profile G, Profile T), API
Interface	
SD card	Micro SD card slot
Reset button	Supported
Storage	
SD card storage	Up to 256 GB
Detection function	
Motion detection	Supported
Auto tracking	Supported
Audio detection	Supported
Human body detection	Supported
General	
Power	DC 5V/1A
Mount method	Pendant/desktop mount
Dimensions (Ø x H)	φ 80*121mm
Weight	About 185g(0.41lb)
Operating environment	-10°C to 55°C (14°F to 131°F); < 95% humidity, non-condensing
Pan/tilt range	Pan 360°, tilt 105°
LED indicator	1, red/blue
Certification	CE CB FCC



3 years
Guarantee

REDKA
www.redka.ir